

Diese Zeichnung ist geschuetzt und darf weder kopiert, noch unbefugten dritten Personen zuganglich gemacht werden.

URSPR.
ERST.
ZUST.

27.09.93 PW

1
2
3
4
5
6
7
8

BEFORE COMMISSIONING CHECK WIRING PROGRAMME SEQUENCE FOR CORRECT FUNCTION. COMMISSIONING SHOULD ONLY BE UNDERTAKEN BY AUTHORIZED PERSONNEL.

THE SWITCHING CAPACITY OF THE CONTROLS (E.G. THERMOSTATS, PRESSURE SWITCHES, WATER LEVEL CONTROLS ETC.) SHOULD BE NOTED AND A SUITABLE CONTROL FUSE FITTED.

THE BURNER CONTROL SHOULD BE FUSED ACCORDING TO THE APPROPRIATE LOADING. MAX. 10A SLOW.

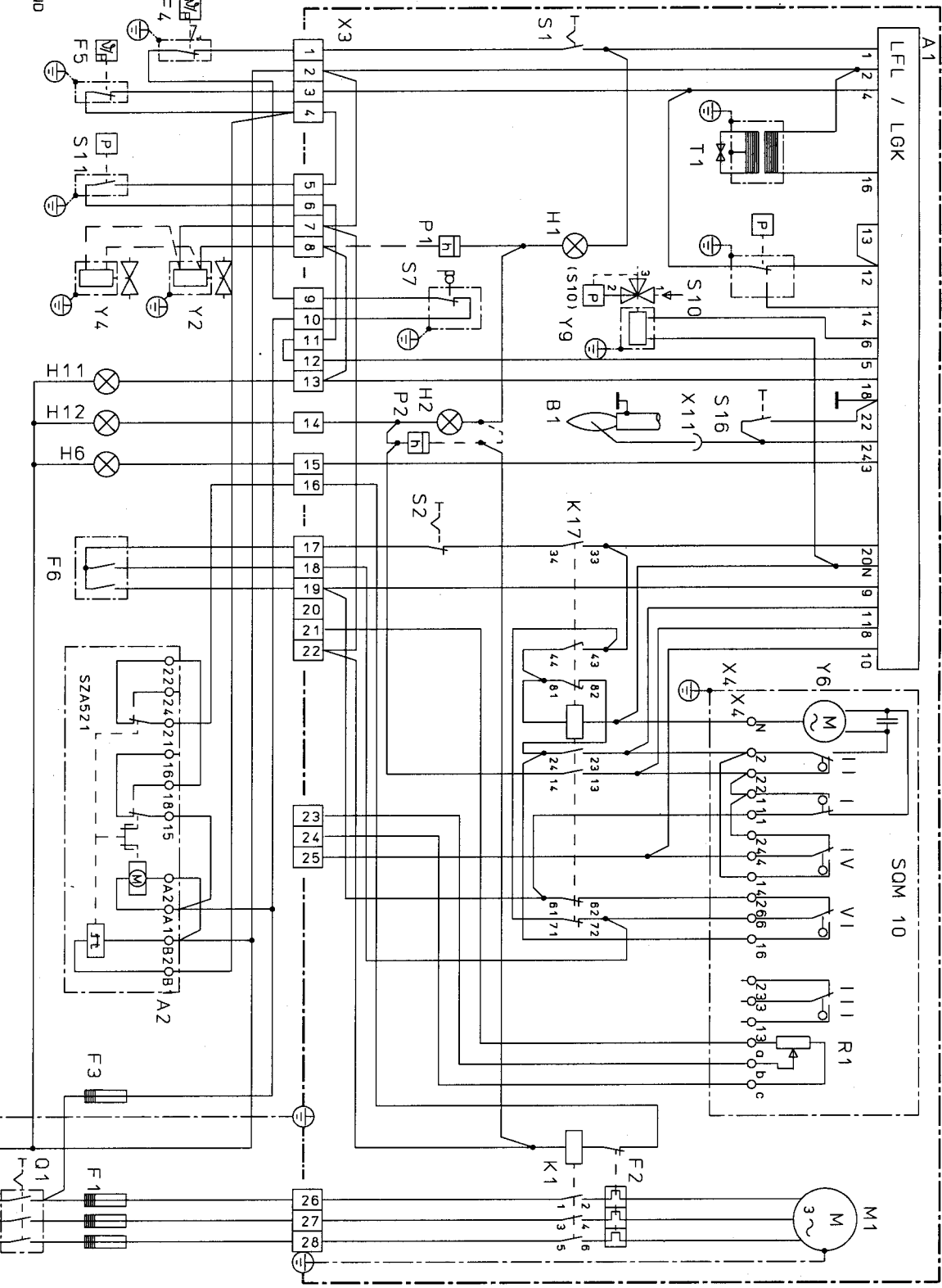
BURNER CONTROLS ARE SAFETY DEVICES. DO NOT OPEN! UNAUTHORIZED INTERFERENCE CAN LEAD TO UNFORSEEN CONSEQUENCES.

LEGEND BURNER WIRING:
A1 BURNER CONTROL
A2 CHANGE OVER TIME RELAY
B1 FLAME SENSOR
F1 MAIN FUSE
F2 OVERLOAD RELAY
F3 CONTROL FUSE
F4 TEMP./PRESS. LIM. CONTROL
F5 TEMP./PRESS. REGUL. FULL LOAD
F6 TEMP./PRESS. REGUL. FULL LOAD
H1 INDICAT. LAMP ON
H2 INDICAT. LAMP FULL LOAD
H3 INDICAT. LAMP FAULT (EXT.)
H4 INDICAT. LAMP PART. LOAD (EXT.)
H5 INDICAT. LAMP FULL LOAD (EXT.)
K1 CONTACTOR BURNER MOTOR
K17 AUX. CONTACTOR
M1 BURNER MOTOR
P1, P2 HOUR COUNTER
S1 MAIN SWITCH
S2 CONTROL SWITCH BURNER
S7 GAS PRESSURE SWITCH
S10 AIR PRESSURE SWITCH
S11 GAS PRESSURE SWITCH
S16 TEST KEY FLAME MONITOR
T1 IGNITION TRANSFORMER
X3 TERMINALS AT BURNER
X4 TERMINALS AT SERVO MOTOR
X11 TEST PLUG FOR FLAME SENSOR
Y2 SOLENOID VALVE GAS (AS REQ.)
Y4 SOLENOID VALVE GAS (AS REQ.)
Y6 SERVO MOTOR
Y9 VENT VALVE
Y11 LIMIT SWITCH FULL LOAD
Y12 LIMIT SWITCH CLOSED
Y14 AUX. SWITCH IGNITION LOAD
Y16 AUX. SWITCH PARTIAL LOAD
Y17, Y18 AUX. SWITCH

EARTH CONTINUITY AND OTHER PROTECTION TO CONFORM WITH LOCAL REQUIREMENTS!

< 350 KW

PE N 11L2L3
380V 3.N.PE 50-60HZ



NIR ANDERUNG

TAG NAME

BEZ. 27.09.93
GEPR. PW

DATUM

BENENNUNG G1 - G7

SCHALTPLAN-NR.

64368/026040

VERS. ZMID
-weishaupt-
MAX WEISHAUPT GMBH
88475 SCHWENDI